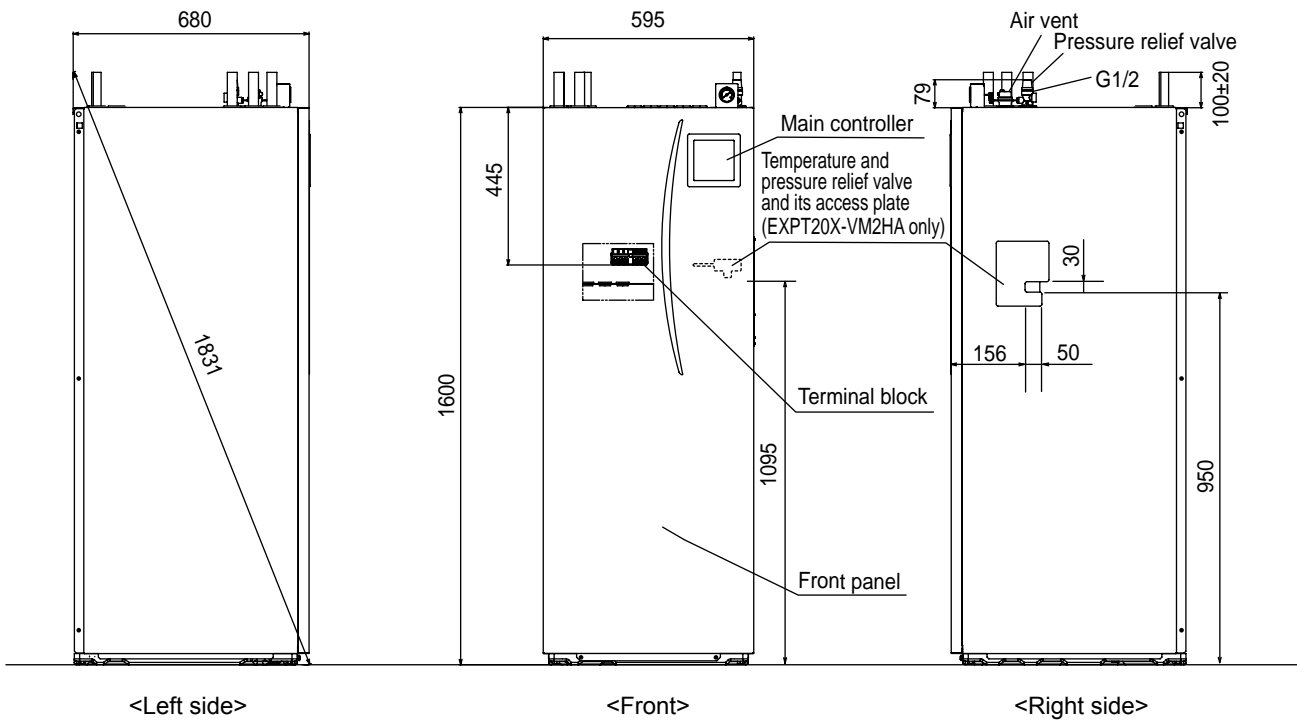


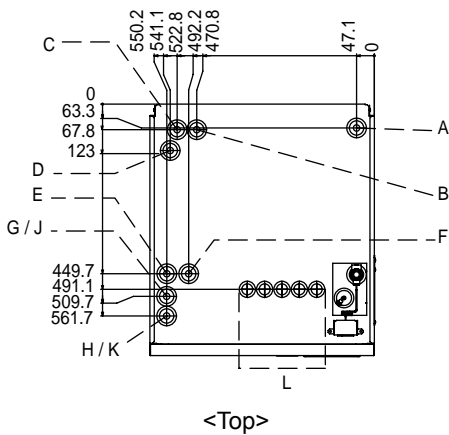
2.1 Cylinder unit



<Left side>

<Front>

<Right side>



<Top>

| Letter | Pipe description | Connection size/type |
|--------|--|--|
| A | DHW outlet connection | 22 mm/Compression |
| B | Cold water inlet connection | 22 mm/Compression |
| C/D | Solar (ancillary heat source) connection | 22 mm/Compression |
| E | Space heating return connection | 28 mm/Compression |
| F | Space heating flow connection | 28 mm/Compression |
| G | Flow from heat pump connection (No plate heat exchanger) | 28 mm/Compression |
| H | Return to heat pump connection (No plate heat exchanger) | 28 mm/Compression |
| J | Refrigerant (GAS) (With plate heat exchanger) | 15.88 mm/Flare |
| K | Refrigerant (LIQUID) (With plate heat exchanger) | 9.52 mm/Flare |
| L | Electrical cable inlets | — * The leftmost hole is for wireless receiver (option) (PAR-WR41R-E) |